

Patents, Designs, and Trade Marks

SUPPLEMENT

TO THE

NEW ZEALAND GAZETTE

OF

THURSDAY, AUGUST 10, 1911.

Published by Authority.

WELLINGTON, THURSDAY, AUGUST 10, 1911.

CONTENTS.

	Page
International and Intercolonial Arrangements for the Mutual Protection of Patents and Trade Marks ..	2527
Applications for Letters Patent filed	2528
Complete Specifications filed after Provisionals ..	2529
Complete Specifications accepted	2529
Provisional Specifications accepted	2532
Request for Amendment of Specification opposed ..	2532
Letters Patent sealed	2532
Letters Patent on which Fees have been paid ..	2532
Subsequent Proprietors of Letters Patent registered	2532
Request for Correction of Clerical Error in Application for Letters Patent allowed	2532
Applications for Letters Patent opposed	2533
Applications for Letters Patent abandoned ..	2533
Applications for Letters Patent void	2533
Designs expired	2533
Applications for Letters Patent lapsed	2533
Letters Patent void	2533
Applications for Trade Marks filed	2533
Applications for Registration of Trade Marks ..	2533
Trade Marks registered	2537
Trade Mark Renewal Fees paid	2538
Trade Marks removed from the Register	2538
Subsequent Proprietors of Trade Marks registered ..	2538
Trade Marks restored to the Register	2538

International and Intercolonial Arrangements for the Mutual Protection of Patents and Trade Marks.

INTERNATIONAL CONVENTION.

THE following countries now belong to the Convention :—

- | | |
|--|--|
| Australia. | Hungary. |
| Austria. | Italy. |
| Belgium. | Japan. |
| Brazil. | Mexico. |
| Ceylon. | New Zealand. |
| Cuba. | Norway. |
| Denmark and Faroe Islands. | Portugal, with the Azores and Madeira. |
| Dominican Republic. | France, with Algeria and colonies. |
| Germany. | Spain. |
| Great Britain. | Sweden. |
| Holland, with East Indian colonies, Curaçoa, and Surinam.* | Switzerland. |
| | Trinidad and Tobago. |
| | Tunis. |
| | United States of America. |

* Trade marks only.

Separate arrangements have been made between Australia and New Zealand.

Particulars of the Convention and of such arrangements may be seen in the following *Gazettes* :—

Notification of adhesion of New Zealand to the Convention, with text thereof (in English), in the *Gazette* of 26th November, 1891; notification of adherence of New Zealand to the Additional Act of the Convention, in Patents Supplement to *Gazette* No. 101, of the 16th November, 1905; Order in Council applying section 103 of the Imperial Act to New Zealand, in *Gazette* No. 27, of the 15th May, 1890; Orders in Council containing arrangements between Australia and New Zealand, in Patent Supplements to the *Gazette* Nos. 22, of the 9th March, 1905, and 38, of the 20th April, 1905.

Applications for Letters Patent filed.

LIST of applications for Letters Patent filed. (Where a complete specification accompanies an application an asterisk is affixed; in all other cases a provisional specification has been lodged. In all cases where the applicant is not the inventor the name of the latter appears in italics in brackets. † Denotes an application under the International and Intercolonial Arrangements.)

Clayton, E. M., Manurewa, N.Z.	Blight-cure* ; 29898 ; 21st July.
Corlett, T., Timaru, N.Z.	Plate-rack, range ; 29899 ; 18th July.
Scott, J. L., Christchurch, N.Z.	Gas-producer* ; 29900 ; 21st July.
Scott, G., Christchurch, N.Z.	Gas-producer* ; 29900 ; 21st July.
Tonkin, J. S., Westshore, N.Z.	Kettle, &c.* ; 29901 ; 21st July.
Vickerstaff, J., Auckland, N.Z.	Hatpin ; 29902 ; 20th July.
Ross, D. A., Auckland, N.Z.	Hatpin ; 29902 ; 20th July.
Pocock, A. C., Hamilton, N.Z.	Milking-machine ; 29903 ; 20th July.
Eureka Milking Machine Company, Limited, Auckland, N.Z.	Teat-cup* ; 29904 ; 22nd July.
<i>(Drouitlege, H.)</i>			
Trevor, S. R., Auckland, N.Z.	Rubber-extraction ; 29905 ; 22nd July.
Howell, J., Waipata, N.Z.	Wire-tightener* ; 29906 ; 20th July.
Green, A. E., Timaru, N.Z.	Trouser-stretcher ; 29907 ; 22nd July.
Poster, T., Christchurch, N.Z.	Loose-leaf book-cover ; 29908 ; 22nd July.
McIlvenna, J., Town of North Bay, Canada	Marine-engine governor* ; 29909 ; 21st July.
Lowman, A. G. E., Winnepeg, Canada	Ear-plate* ; 19910 ; 21st July.
Leith, H., Auckland, N.Z.	Wash-strainer ; 29911 ; 24th July.
Raynes, J., Rukuhia, N.Z.	Water-heater ; 29912 ; 24th July.
Blythe, A. J. S., Te Awamutu, N.Z.	Floor-polish* ; 29913 ; 24th July.
Schadick, J., Westport, N.Z.	Wheel-tire ; 29914 ; 20th July.
Whiley, F., Palmerston North, N.Z.	Teat-cup* ; 29915 ; 24th July.
Bentley, P. A., Burton-on-Trent, Eng.	Electric clock* ; 29916 ; 13th August, 1910.†
Mills Equipment Company, Limited, London, Eng. (<i>Wise, W. P.</i>)	Military equipment* ; 29917 ; 25th July.
W. R. Sykes, Interlocking Signal Company, Limited, London, Eng.	Locking-mechanism* ; 29918 ; 25th July.
Tarrant, R. W., London, Eng.	Locking-mechanism* ; 29918 ; 25th July.
McKenzie and Holland, Limited, London, Eng.; and Melbourne, Vic.	Locking-mechanism* ; 29918 ; 25th July.
Clemett, A. D., Foxton, N.Z.	Box ; 29919 ; 25th July.
Broadbent, W., Foxton, N.Z.	Box ; 29919 ; 25th July.
Thompson, A., Auckland, N.Z.	Perambulator-spring* ; 29920 ; 24th July.
Kee, E. J., Wendon Valley, N.Z.	Swingle and cross tree ; 29921 ; 24th July.
Young, H., Auckland, N.Z.	Billiard-table raising ; 29922 ; 24th July.
Norgrove, H., Takapuna, N.Z.	Dry dock* ; 29923 ; 22nd July.
Reed, W. C., Waikino, N.Z.	Hatpin-guard ; 29924 ; 26th July.
Newman, F. W., London, Eng.	Petrol-gas, &c., generator* ; 29925 ; 22nd July.
Henderson, W. V., Walthamstow, Eng.	Petrol-gas, &c., generator* ; 29925 ; 22nd July.
Sadd, W. T., Palmerston North, N.Z.	Tow-treating machine ; 29926 ; 26th July.
Matthews, F., Raupal, N.Z.	Cow-bail fastener ; 29927 ; 27th July.
Hartmann, S., Melbourne, Vic.	Churn and butter worker* ; 29928 ; 27th July.
McDermott, P. P., Drysdale, Vic.	Ploughshare ; 29929 ; 27th July.
McDermott, P., Drysdale, Vic.	Ploughshare ; 29929 ; 27th July.
McDermott, T., Drysdale, Vic.	Ploughshare ; 29929 ; 27th July.
Douglas, R., Woodstock West, Vic.	Scarifier* ; 29930 ; 27th July.
Hens, K., Johannesburg, Trans.	Meat-preservation* ; 29931 ; 27th July.
Carson, M., jun., Kaitangata, N.Z.	Pencil-sharpener* ; 29932 ; 24th July.
Hardie, E. B., Wangaloa, N.Z.	Pencil-sharpener* ; 29932 ; 24th July.
Sandlant, W., Gisborne, N.Z.	Window-sash securing ; 29933 ; 26th July.
Mason, H. A., Lower Hutt, N.Z.	Drain-tester* ; 29934 ; 28th July.
Lea, D. H., Westmere, N.Z.	Knife ; 29935 ; 28th July.
Mainland, H. L., Dunedin, N.Z.	Animal-trap* ; 29936 ; 26th July.
Brookbank, J., Auckland, N.Z.	Air-ship ; 29937 ; 27th July.
Sewell, F., Otahuhu, N.Z.	Projectile-firing ; 29938 ; 28th July.
Branigan, W. J., Hamilton, N.Z.	Spouting-bracket ; 29939 ; 28th July.
Church, A. T., Invercargill, N.Z.	Plough ; 29940 ; 31st July.
Noone, W. H., Auckland, N.Z.	Closet-seat* ; 29941 ; 31st July.
Trevarthen, R. O., Auckland, N.Z.	Closet-seat* ; 29941 ; 31st July.
Beatson, J. W. G., Ngatimote, N.Z.	Fruit-crate* ; 29942 ; 31st July.
Rose, F., Melbourne, Vic.	Ruler ; 29943 ; 1st August.
Evans, L. H., Melbourne, Vic.	Ruler ; 29943 ; 1st August.
Brownjohn, B. J., Sydney, N.S.W.	Window-sash ; 29944 ; 1st August.
Harding, W. E., Davyhurst, W. Aust.	Rock-drill chuck* ; 29945 ; 1st August.
Hunter, J., Davyhurst, W. Aust.	Rock-drill chuck* ; 29945 ; 1st August.
Bailey, W., Brisbane, Queens.	Clean-water securing ; 29946 ; 1st August.
Marsh, R. F., East Maitland, N.S.W.	Washing basket and drainer* ; 29947 ; 1st August.
Cobbett, S. A., London, Eng. (<i>Price, J.</i>)	Nitrous, &c., acid manufacture* ; 29948 ; 1st August.
Grob, H., Zurich, Switz.	Electric tension regulator* ; 29949 ; 1st August.
Toyne, G., Geelong, Vic.	Clothes-hoist ; 29950 ; 1st August.
Downey, L. E., Geelong, Vic.	Clothes-hoist ; 29950 ; 1st August.
Garrett, E. J., Kaikoura, N.Z.	Paint, &c., brush attachment ; 29951 ; 2nd August.
Cantelin, W. C. R., Okaiawa, N.Z.	Water-wheel ; 29952 ; 2nd August.
Smith, B. S., Sydney, N.S.W.	Sulphide-ore dressing* ; 29953 ; 4th August, 1910.†
Neville, H., Wellington, N.Z.	Hatpin ; 29954 ; 2nd August.
Maddox, H. N., Wellington, N.Z.	Hatpin ; 29954 ; 2nd August.
Williams, H. G., Onehunga, N.Z.	Pile ; 29955 ; 2nd August.
Ward, T. E., Sydney, N.S.W.	Totalizator* ; 29956 ; 20th September, 1910.†
Gaut, J., Sydney, N.S.W.	Totalizator* ; 29956 ; 20th September, 1910.†
Hinds, H. H., Sydney, N.S.W. (<i>Wilson, J. F.</i>)	Kapoc-scutcher ; 29957 ; 2nd August.
Stevenson, T. J., Timaru, N.Z.	Weed-and-root-crop lifter ; 29958 ; 2nd August.
Moloney, M., Christchurch, N.Z.	Fire-alarm ; 29959 ; 3rd August.
Clarke, E. M., Auckland, N.Z.	Sewing-machine ; 29960 ; 2nd August.
Whittome, F., Auckland, N.Z.	Bottle-filler* ; 29961 ; 2nd August.
Winkelmann, N. G. G., Napier, N.Z.	Ash-pan* ; 29962 ; 4th August.

Complete Specifications filed after Provisionals.

LIST of complete specifications filed after provisional specifications from the 21st July to the 3rd August, 1911, inclusive:—

- No. 28662.—J. Dawson, suspension bridge.
- No. 28673.—H. Voss, windmill-controller.
- No. 29677.—T. Duckmanton, flushing-cistern.
- No. 28734.—F. Roberts, railway tablet-exchange bracket.
- No. 28978.—L. Shaw, cleansing-preparation.
- No. 28981.—C. A. Oldman, beehive-dummy.
- No. 29325.—J. W. Tong, concrete-mixing.
- No. 29708.—S. D. Currie and H. M. Thorpe, milk-can lid.

Notice of Acceptance of Complete Specifications.

Patent Office,

Wellington, 9th August, 1911.

COMPLETE specifications relating to the undermentioned applications for Letters Patent have been accepted, and are open to public inspection at this office. Any person may, at any time within two months from the date of this *Gazette*, give me notice in writing of opposition to the grant of any such patent. Such notice must set forth the particular grounds of objection, and be in duplicate. A fee of 10s. is payable thereon.

The copies of claims and extracts from the specifications and drawings are merely intended to give some further indication of the invention than is disclosed in the title, and the complete specifications and drawings should be referred to for a description of the invention.

No. 27656.—25th May, 1910.—ROBERT BURN, of 349 Jackson Street, Petone, New Zealand, Engineer. Apparatus for folding telegraph forms, statements, or account forms, circulars, and the like.*

Claims.—(1.) Apparatus for the purpose indicated, means for folding the lower portion of the form upon itself, means for folding the upper part of the form upon itself and over the first fold, and means for folding the ends of the folded form, as set forth. . . . (4.) In apparatus for the purpose indicated, the combination of a blade for folding the form slidable in the sides of the apparatus with means for folding the ends of the folded form or the like, as set forth. . . . (6.) In apparatus for the purpose indicated, means for drawing the form through a slot in the table in order that the blade may make a second fold, comprising a pivoted quadrant lever, a stud projecting from the said disc adapted to contact with the said lever, and a toothed wheel fixed to the shaft upon which the folding-blades are fixed, substantially as set forth. (Specification, 7s. 3d.)

[NOTE.—Here follow two other claims.]

No. 28157.—27th July, 1910.—SAMUEL SALEK, of Wellington, New Zealand, Investor. A machine for folding, gumming, and sealing memoranda, invoice, telegram, or any despatch forms.*

Claims.—(2.) A folding-machine consisting of a frame, a horizontal table supported upon the frame, a slot extending horizontally through such table, a vertical slot extending down from the back part of the table and a vertical slot extending down from the front part of the table, a knife-blade mounted in the back vertical slot and retained normally in a raised position, a knife-blade mounted in the horizontal slot and retained normally to the rear of the back vertical slot, a knife-blade mounted in the front vertical slot and retained normally in a raised position, a disc wheel mounted on the frame and provided with means for rotating it, means thereon for actuating in turn, on each revolution, the back vertical knife to depress and then release it, the horizontal knife to feed it forward and then release it, and the front vertical knife to depress and release it, and means combined with the front vertical slot for folding around the ends thereof, substantially as and for the purpose specified. (Specification, 13s. 6d.)

[NOTE.—Here follow eight other claims.]

No. 28158.—27th July, 1910.—ALEXANDER JAMES, of Feilding, New Zealand, Architect. Improvements in totalizators.*

Extract from Specification.—According hereto, the stamping of each ticket operates mechanism whereby the issue of such ticket is recorded automatically. (Specification, 9s.)

[NOTE.—The above extract from the specification is inserted in place of the claims.]

No. 28164.—28th July, 1910.—GEORGE GIBBS, of Motueka, New Zealand, Hotelkeeper. An improved cooler for beer and other liquids.*

Claims.—(1.) The improved cooler for beer and other liquids comprising a chamber having a sealed top, an inlet-pipe leading into the top thereof and an outlet-pipe leading from the bottom thereof, and a box or casing surrounding the chamber and provided with a stand upon which the chamber is supported, substantially as specified. (Specification, 2s. 6d.)

[NOTE.—Here follows one other claim.]

No. 28196.—1st August, 1910.—SCOTT BROS., LIMITED, of Christchurch, New Zealand (assignees of G. Scott, of Christchurch). An improved high-pressure boiler for a cooking-range.*

Extract from Specification.—In this invention the boiler has a horizontal flue having projections of a V-shape running along its upper surface and connecting and intersecting with corrugated projections in a vertical flue. (Specification, 1s. 9d.)

[NOTE.—The above extract from the specification is inserted in place of the claims.]

No. 28277.—17th August, 1910.—UNITED SHOE MACHINERY COMPANY, of Paterson, in the State of New Jersey, United States of America, a corporation duly organized under the laws of said State of New Jersey, carrying on business as Shoe-machinery Manufacturers, and having a place of business at 205 Lincoln Street, Boston, in the Commonwealth of Massachusetts, in said United States of America (assignees of Henry Wallace Winter, of Methuen, in the County of Essex and said Commonwealth of Massachusetts, Machinist). Improvements in or relating to stamping-machines for operating upon leather or like sheet material.*

Claims.—(1.) For a machine for stamping or similarly operating upon leather or like sheet material having a head movable towards and from a work-table, the arrangement that the stamping-head is mounted upon a carrier (for example, 26) upon which is fulcrummed a lever (for example, 28) which is connected to means by which the head is actuated and adjustably connected with the carrier for the purpose of adjusting the point of nearest approach of the head to the table. (Specification, 17s. 3d.)

[NOTE.—Here follow eighteen other claims.]

No. 28281.—17th August, 1910.—UNITED SHOE MACHINERY COMPANY, of Paterson, in the State of New Jersey, United States of America, a corporation duly organized under the laws of said State of New Jersey, carrying on business as Shoe-machinery Manufacturers, and having a place of business at 205 Lincoln Street, Boston, in the Commonwealth of Massachusetts, in said United States of America (assignees of Arthur Bates, Engineer, Robert Henry Silvester, Commercial Traveller, William Thomas Buckingham Roberts, Engineer, and John Henry Brown, Engineer, all of Leicester, in the County of Leicester, England). Improvements in or relating to machines for use in the manufacture of boots and shoes.*

Claims.—(1.) A machine of the class described having, in combination, means for working an upper over a last, and devices for controlling the speed of said means to vary its operation on different parts of the shoe. . . . (6.) A machine of the class described having, in combination, lasting-devices, including pincers and actuating-mechanism for said devices constructed to work successive portions of an upper over a last, and means for accelerating the operation of said devices and for thereafter suspending the operation of the pincers while the other lasting-devices continue in operation. . . . (9.) A machine of the class described having, in combination, a rotatable shaft, a cam loosely mounted thereon, a spring-pressed pawl carried by said cam for locking the cam to the shaft, lasting-pincers and connections therefrom to said cam, a pivoted lever arranged for movement into the path of said pawl and constructed to effect an unlocking of the pawl from said shaft, a manually operable member and connections, including a yielding element between said lever and member. . . . (22.) A machine of the class described having, in combination, two working-devices, actuating-mechanism therefor and controlling-means by which the operation of one of said working-devices may be suspended during one or more cycles of the machine and the other device caused to operate at a different speed from the normal one during such suspension. . . . (32.) A machine of the class described having means for working into lasted position successive portions of an upper by repeated operations and comprising a wiper, and actuating-means to carry the wiper towards and from the edge of a shoe and to cause the wiper to move on an inclined path relatively thereto. (Specification, £2 15s.)

[NOTE.—Here follow thirty-three other claims.]

No. 28336.—25th August, 1910.—GERALD WILLIAM MCKENZIE, of Caroline, New Zealand, Shepherd. Improved castrating-tool.

Claim.—The castrating-tool described, characterized by having a lengthened lever-handle provided with a notch and rounded teeth, substantially as and for the purposes set forth. (Specification, 2s. 9d.)

No. 28365.—31st August, 1910.—MONTAGUE HARRISON WYNYARD, of Auckland, New Zealand, Solicitor. Improved means of drying New Zealand flax.*

Claims.—(1.) In apparatus for the purpose of drying New Zealand flax, an upright heated revolving roller, or series of such rollers, in combination with an endless travelling conveyor-band, passing as far as possible round the upper periphery of such rollers or roller (preferably carried in an encircling groove in such periphery), substantially as and for the purposes described. (Specification, 7s. 6d.)

[NOTE.—Here follow three other claims.]

No. 28395.—7th September, 1910.—THE NEW ZEALAND HEMP PROCESS AND BY-PRODUCTS COMPANY, LIMITED, a company duly incorporated under the Companies Act of New Zealand, and carrying on business at Napier, New Zealand (assignees of William G. Richardson, of Foxton aforesaid). Improved apparatus for drying flax.*

Claims.—(1.) For the purpose indicated, a drying-room made with an inner and outer casing of corrugated iron, the space between the casings being filled with pumice, a heater from which air is taken through a perforated pipe into the room, a continuous rope upon which fibre is placed, and grooved pulleys carrying the said ropes, substantially as set forth. (Specification, 1s. 9d.)

[NOTE.—Here follows one other claim.]

No. 28396.—7th September, 1910.—THE NEW ZEALAND HEMP PROCESS AND BY-PRODUCTS COMPANY, LIMITED, a company duly incorporated under the Companies Act of New Zealand, and carrying on business at Napier, New Zealand (assignees of William G. Richardson, of Foxton aforesaid). Improvements in flax-strippers.*

Extract from Specification.—According hereto, the feed mechanism consists of a plurality of pairs of rollers which in succession act upon the same part of the flax-blade as it passes between them, the first pair crushing the butts, the next pair crushing the flax to uniform thickness, and a third pair finally reducing the flax and taking a special grip of the blade while the stripping is effected. (Specification, 4s. 6d.)

[NOTE.—The above extract from the specification is inserted in place of the claims.]

No. 28425.—13th September, 1910.—HARRY LOMAX DAY, of 153 Lower High Street, Christchurch, New Zealand, Picture-frame Manufacturer. Improved apparatus for use in displaying articles of commerce.*

Extract from Specification.—The invention consists in providing a number of separate frames, each one of which is adapted to hold any number of pictures, so that the faces of some of them may be exposed to view on the front and back of the frame. These frames are separately hinged in a support consisting of a pair of horizontal plates arranged one above the other in a frame or against a wall. The hinges of the several frames are so arranged in these plates that the frames will be capable of swinging back to lie flat against the wall one behind the other, and will be capable of being turned out, one by one, so as to expose the faces of the several frames to view. (Specification, 2s. 6d.)

[NOTE.—The above extract from the specification is inserted in place of the claims.]

No. 28454.—19th September, 1910.—JOHN ANDREW HAWELL, Storekeeper, ALBERT GEORGE HOAR and JOHN CATRACROSS, Builders, all of Eketahuna, New Zealand. Improvements in roofing.*

Claim.—In buildings to be roofed with corrugated iron, the employment of strips or fillets of moisture-absorbent material nailed to purlins or whatever may be intended to immediately support the iron, said strips or fillets having rebated or moulded edges for the purposes aforesaid and being placed in position as aforesaid, substantially as illustrated and described, and for the purposes set forth. (Specification, 2s. 9d.)

No. 28508.—28th September, 1910.—ROBERT HELLYER, of Commercial Chambers, Bathurst Street, Sydney, New South Wales, Australia, Watch-case Maker, and IVAN NELSON, of Loftus Street, Sydney aforesaid, Merchant. An improved garden water-spraying apparatus.*

Extract from Specification.—This improved spraying-apparatus consists of a jet or nozzle-bit in which near to its point of issue there is a regulating screw which traverses the line of issue at or approximately at right angles thereto, the end of this screw being particularly shaped by two cross-grooves, by which means the issuing stream of water is broken up into fine spray, and it further consists of providing as part of the

apparatus a universal joint for attachment to the tap or cock of an ordinary garden stand-pipe whereby the direction of the issuing jet may be adjusted both in the vertical and horizontal plane. (Specification, 2s.)

[NOTE.—The above extract from the specification is inserted in place of the claims.]

No. 28539.—5th October, 1910.—CHARLES SUTTIE, of Waiaroa, New Zealand, and MONTAGUE HARRISON WYNYARD, of Auckland, New Zealand, Solicitor. Improvements in treating tow.*

Claims.—(1.) In apparatus for the purpose mentioned, a travelling belt, two or more rollers on which such belt travels, and a series of arms carried by such belt, the belt being so positioned and operated that it bears the arms through the draught from a scutcher, the arms catching and bearing away out of such draught, largely in strands, the flying tow from such scutcher, substantially as and for the purposes described. (Specification, 8s. 3d.)

[NOTE.—Here follow eight other claims.]

No. 28554.—7th October, 1910.—THE RIDD MILKING MACHINE COMPANY, LIMITED, of Queen Street, New Plymouth, New Zealand (assignees of Ambrose Ridd, of Waipuku, New Zealand, Farmer). An improved teat-cup for milking-machines.*

Claims.—(1.) In milking-machine teat-cups, an outer rigid casing, and an inner flexible lining secured within the casing and formed with projecting knobs arranged in a row vertically down its inside surface and with two ribs projecting from its inner surface and extending in parallel lines with the row of knobs at equal circumferential distances apart therefrom, substantially as specified. (3.) In milking-machine teat-cups, an outer rigid casing, an inner flexible lining formed with a flange around its top edge overhanging the top end of the casing and having a curved upper surface, a mouthpiece adapted to fit on to the top of the flange and to be secured upon the casing, an aperture in the centre of such mouthpiece, and a downwardly projecting flange around the edge of such aperture, a row of knobs extending down the inside of the lining, and two ribs extending down the inside lining in parallel lines with the row of knobs and at equal circumferential distances apart therefrom, substantially as specified. (Specification, 4s.)

No. 28784.—24th November, 1910.—CHARLES EDWARD HARDLEY, of Auckland, New Zealand, Manufacturer. Improved combination cocks for gas, water, and other purposes.*

Claims.—(1.) In an improved combination cock of the class described, a quick-acting high-pressure cock and a plug cock, having their respective spindles adjustably connected, in the manner and for the purpose set forth, as described and illustrated. (Specification, 2s. 3d.)

[NOTE.—Here follow two other claims.]

No. 29370.—5th April, 1911.—ROBERT ROBERTSON GRAY, of Grey Street, Labourer, and HERBERT GIDEON FLETCHER, of Fitzherbert Street, Solicitor, both of Palmerston North, New Zealand. Improvements in cow-bails.*

Extract from Specification.—According to the present invention, a frame comprised of vertical and horizontal members is arranged with a series of bailing-bars pivoted at their lower ends and guided in the frame so that they may be opened and closed for bailing and releasing animals. An endless band of wire or other material extends above and parallel with the framework, and passes round a guide-sheave in one end and around a sprocket-wheel at the other. A length of sprocket-chain being inserted in the band so that it may be travelled by the rotation of the sprocket-wheel. (Specification, 2s. 9d.)

[NOTE.—The above extract from the specification is inserted in place of the claims.]

No. 29482.—2nd May, 1911.—EDWIN DANIEL BERRY, of Palmerston North, New Zealand, Mechanical Engineer. Improved means for use in the pasteurization of milk and other liquids.*

Extract from Specification.—The invention comprises a pasteurizer of special construction, into which the milk is introduced, and into which steam is also introduced so as to mingle intimately with the milk and thus heat it to the required temperature before it passes away. On the milk's passage to the pasteurizer, and on the passage of the milk from the pasteurizer, it is caused to pass through an auxiliary appliance constructed in a special manner to carry the hot milk and the cold milk along on opposite sides of division-plates, in order that the heat of the former will pass to the latter and raise its temperature while being itself cooled. (Specification, 4s. 6d.)

[NOTE.—The above extract from the specification is inserted in place of the claims.]

No. 29507.—5th May, 1911.—WILLIAM LAURENCE JOHNSTONE and ARTHUR HOSKING, both of Palmerston North, New Zealand, Engineers. An improved apparatus for heating and cooling milk, whey, and the like.

Extract from Specification.—According hereto, an outer vessel has a plurality of partitions extending from the bottom thereof to within a short distance of the top. An inner vessel fitting within the outer vessel has a deeply corrugated bottom into which said partitions enter. The lid of the vessel is provided with plates which descend into the corrugations of the bottom and are supported by angles. An inlet and outlet nozzle are provided in both the inner and outer vessels. The vessels are pivoted upon a stand and are adapted to turn over for the purpose of cleansing. (Specification, 3s. 9d.)

[NOTE.—The above extract from the specification is inserted in place of the claims.]

No. 29520.—10th May, 1911.—JOHN JOSEPH CHARLEY, of Malvern Road, Malvern, Victoria, Australia, Farmer. Improvements in and relating to wheeled vehicles and carriers.

Claims.—(1.) A chassis or carrier-frame having two front and two rear road-wheels or the like, a spring or cushion device to each wheel to receive and mitigate shock therefrom, and connections at each side between the front and the rear spring device adapted to transfer shock from one to the other, by the latter of which it will be again mitigated. (Specification, 12s. 9d.)

[NOTE.—Here follow six other claims.]

No. 29541.—15th May, 1911.—ARTHUR JAMES SOUSBY BLYTHE, of Te Awamutu, Waikato, New Zealand, Coach-builder. An improved floor-polish.

Extract from Specification.—According hereto, a composition is made of Japan goldsize, coach-painter's terebine, mineral turpentine, and chemical terebine. (Specification, 1s.)

[NOTE.—The above extract from the specification is inserted in place of the claims.]

No. 29553.—12th August, 1910.†—JAMES FOTHERINGHAM, WILLIAM FOTHERINGHAM, and CHARLES HECTOR PEARL, trading as "J. Fotheringham and Co.," of 51 Cameron Street, Launceston, Tasmania, Australia, Saddlers. A fruit-picking bag.

Claim.—A bag made of canvas leather or the like, held open at the top by iron frame or the like, and permitting the contents to be emptied from the bottom, substantially as described. (Specification, 1s. 3d.)

No. 29586.—19th May, 1911.—ROBERT McCULLOUGH WAUGH, of Albert Street, Elsternwick, Victoria, Australia, Pattern-maker, and ARTHUR JOHN BEDFORD, of 6 Knowles Street, Northcote, Victoria aforesaid, Manufacturer. Improvements in or relating to rotors of steam or fluid-pressure turbine.

Extract from Specification.—The main object of our invention is to provide an improved construction of rotor, comprising a combination of blades and concave buckets or serrations with the provision of an annular steam-passage between them. (Specification, 7s.)

[NOTE.—The above extract from the specification is inserted in place of the claims.]

No. 29634.—30th May, 1911.—COLLETT AND SON, LIMITED, a company duly incorporated under the Companies Act of New Zealand, and having its registered office at Dannevirke, Hawke's Bay, New Zealand, Engineers (assignee of George Frederick Alder). An improved roller-bearing.

Claims.—(1.) In a roller-bearing, a cage consisting of end rings united together by longitudinal bars spaced apart to admit rollers, substantially as set forth. (Specification, 2s.)

[NOTE.—Here follow three other claims.]

No. 29664.—1st June, 1911.—JOHN WILLIAM TRIST and GEORGE MARTIN SMALL, both of Christchurch, New Zealand, Saddlers. Horse-hopple for use in pacing.

Claims.—(1.) An article of the class indicated, comprising a strap adapted to extend between and encircle the fore and hind leg and provided with means for adjusting its length, loose bands adapted to hold the portions of the said strap extending between the legs together, and means for supporting the device in place, substantially as and for the purpose set forth. (2.) An article of the class indicated, comprising a strap adapted to extend between and encircle the fore and hind leg and provided with means for adjusting its length, loose bands adapted to hold the portions of the said strap extending between the legs together, and bridles extending across from one side of the strap to the other and passing loosely through rings depending from the back straps, substantially as and for the purpose set forth. (3.) The horse-hopple for use in pacing substantially as described and explained, and as illustrated in the drawing. (Specification, 2s. 3d.)

No. 29702.—9th June, 1911.—JOHN WILSON, of Auckland, New Zealand, Cement-manufacturer. Improvements relating to construction of concrete surrounds for windows, doors, and the like.

Claims.—(1.) Surrounds for doors, windows, and the like constructed and arranged substantially as specified, and illustrated in the drawing. (2.) Surrounds for doors, windows, and the like in which the jambs, reveals, and architraves are integrally formed in concrete, substantially as specified, and illustrated in the drawing. (3.) A surround for door, window, or the like made in three parts, two side members and a head-piece, each member having integrally formed architraves, and being provided with recesses to receive the door or window frame and the wall of the building, substantially as specified, and illustrated in the drawing. (Specification, 2s.)

No. 29725.—13th June, 1911.—WALTER DAVID WILSON, of Auckland, New Zealand, Engineer. An improved wall-tie for brick buildings.

Claim.—An improved wall-tie for brick buildings having curves formed on its central portion by twisting or bending the said central portion at right angles to the remaining portions or ends in the manner and for the purpose set forth, as described and illustrated. (Specification, 1s. 6d.)

No. 29745.—20th June, 1911.—GERTRUDE JOHNSON, of Laidlaw Parade, East Brisbane, Queensland, Australia, Domestic Duties. Improved concrete brick and block, pipe, and tile making machine.

Extract from Specification.—In carrying my invention into effect I make a stand consisting of two pairs of legs joined together, and carrying a table. On this table is placed the bottom of the mould. The sides are kept in place by wedge-pieces carried by the frame, while the ends are kept in place by the sides. The cores are supported by a simple device by which they may be lowered when desired. (Specification, 5s. 3d.)

[NOTE.—The above extract from the specification is inserted in place of the claims.]

No. 29747.—20th June, 1911.—GEORGE OSCAR WESTENDORF, of Winiam, Victoria, Australia, Farmer. Improvements in disc ploughs and cultivating implements.

Claims.—(1.) In a disc plough or other cultivating implement, a frame having its front and rear jointed together to allow of intermediate rise of the frame as indicated, in combination with rotatable front- and rear-wheel standards, and the means for adjustment of the height of each frame-side relatively to the front standard on that side, and adjustable front-wheel standard-connections so that the said standards may be simultaneously turned as described. (Specification, 7s.)

[NOTE.—Here follow five other claims.]

No. 29751.—20th June, 1911.—HARRY ALLEN PETERS, of 1248 Davie Street, Vancouver, British Columbia, Diet Specialist. Strainer for sink-outlets.

Claims.—(1.) The combination with the drain-aperture of a kitchen-sink, of a chamber downwardly projecting therefrom, to the lower end of which chamber is connected to the sink drainpipe and a straining-receptacle of the sink, said receptacle having no straining-apertures in or adjacent to the bottom. (Specification, 3s. 3d.)

[NOTE.—Here follows one other claim.]

No. 29786.—26th June, 1911.—JAMES UPCHURCH, of Hunterville, New Zealand, Joiner. An improved bench-vice.

Extract from Specification.—The invention consists in mounting the jaw of the vice upon a spindle extending at its inner end in through the front of the bench and beneath the bench-top and having a stop on its outer end for engagement with the jaw, in a toothed rack rigidly supported longitudinally with spindle, and a helically twisted cam secured upon the spindle and adapted to engage between the teeth of the rack. This cam is made to extend through about half a complete circle, so that when the spindle is turned the cam may free the rack and permit of the spindle sliding in or out to adjust the position of its jaw. Then, when the jaw is adjusted on to an article, by giving a partial rotation to the spindle the cam-edge will be caused to engage with one of the teeth of the rack and, by reason of its helical pitch, to draw the vice-jaw hard in against the article. (Specification, 4s.)

[NOTE.—The above extract from the specification is inserted in place of the claims.]

No. 29913.—24th July, 1911.—ARTHUR JAMES SOUSBY BLYTHE, of Te Awamutu, Waikato, New Zealand, Coach-builder. An improved floor-polish.

Extract from Specification.—According hereto, a composition is made of Japan goldsize, coach-painter's terebine, mineral turpentine, chemical terebine, and methylated spirits. (Specification, 1s.)

[NOTE.—The above extract from the specification is inserted in place of the claims.]

Copies of drawings may be obtained at the uniform price of 1s. each. In exceptional cases this price may be increased at the discretion of the Office.

An asterisk (*) denotes the complete specification of an invention for which a provisional specification has been already lodged. A dagger (†) denotes a prior date under the International and Intercolonial Arrangements.

NOTE.—The cost of copying the specification has been inserted after the notice of each application. An order for a copy or copies should be accompanied by a post-office order or postal note for the cost of copying.

The date of acceptance of each application is given after the number.

Extracts from the drawings accompanying the foregoing complete specifications appear at the end of this *Gazette*.

J. C. LEWIS,
Registrar.

Provisional Specifications accepted.

Patent Office,
Wellington, 4th August, 1911.

APPLICATIONS for Letters Patent, with provisional specifications, have been accepted as under:—

- No. 29156.—R. P. Hill, water-pipe cleaning.
- No. 29269.—F. A. Boyd, telephone-horn.
- No. 29391.—L. Paget, water-heater.
- No. 29646.—I. G. Macfarlane, concrete-building.
- No. 29648.—H. J. McGill, billiard-table lowering, &c.
- No. 29758.—E. P. Levien, fibre-catcher.
- No. 29768.—J. Fraser, window-sash fitting.
- No. 29799.—E. L. Wright, roofing-tile.
- No. 29801.—E. M. Kirkwood, whip-attachment.
- No. 29805.—J. H. Lawrence, hose-pipe union, &c.
- No. 29807.—F. V. Raymond and W. O. Beere, flax-dresser.
- No. 29816.—C. Suttie and M. H. Wynyard, tow-collector.
- No. 29850.—E. M. Cuthbert and F. C. P. Fiddy, drain-trap protector.
- No. 29874.—A. H. Wright, marking-machine gripping, &c., mechanism.
- No. 29885.—W. T. Fowler, reaping-machine.

Request for Amendment of Specification opposed.

NOTICE of opposition has been filed in the following case:—

- No. 17822.—A. H. Wright, franking-machine. (R. Wales.) Opposed by E. Moss.

Letters Patent sealed.

LIST of Letters Patent sealed from the 22nd July to the 4th August, 1911, inclusive:—

- No. 27185.—J. Stanford, roofing-tile.
- No. 27203.—L. Dillimore, hatpin.
- No. 27307.—J. J. Keppel, wire-strainer.
- No. 27532.—J. McFadden and H. Adams, milking-appliance.
- No. 27537.—C. J. Green, spark-extinguisher.
- No. 27543.—A. L. J. Tait, flax-treatment.
- No. 27570.—G. Honeywood, pulverizing-machine.
- No. 27586.—H. W. Earp-Thomas, saucepan, &c., stirrer.
- No. 27604.—A. Storrie, milking-machine air-tube inspecting.
- No. 27609.—J. Murdoch, men's trousers.
- No. 27619.—G. Gray, ridging-machine and rollers.
- No. 27639.—J. Macmeikan, air-circulating apparatus. (R. Rayson.)
- No. 27670.—J. C. P. Kirkwood, water-heater.
- No. 27680.—H. T. Sheppey and T. T. Boyle, meat, &c., preservation.
- No. 27684.—H. H. Gilshnan, whip-thong fastening to handle.
- No. 27703.—A. J. Bell, parcel-attaching to bicycle.
- No. 27852.—F. T. Page, wire-strainer.
- No. 27868.—J. Dilliear, ear-marking device.
- No. 27870.—J. Sorley, insect-destroying composition.
- No. 27879.—O. Tapp, vacuum pump.
- No. 27886.—J. B. and J. Pomeroy, steam-boiler furnace.
- No. 28099.—W. J. Tinline, clipping-machine comb and outer sharpener.
- No. 28110.—United Shoe Machinery Company, sewing-machine channel-guide mechanism. (E. E. Winkley and A. Eppler.)
- No. 28124.—United Shoe Machinery Company, sewing-machine shuttle tension device. (J. L. Dow.)
- No. 28263.—J. Treloar, milking-machine pulvator.
- No. 28299.—H. Turner, dress-fastener. (P. A. Aronson.)
- No. 28447.—E. R. Shield, fruit-grader.
- No. 28452.—O. Fröbling, removing dredged material from ships' holds.

No. 28672.—W. L. Johnstone and A. Hosking, pasteurizer.

- No. 28749.—J. C. W. Stanley, wood-pulp manufacture.
- No. 28888.—D. Elder, wire-wrapping machine.
- No. 28917.—L. Lumiere, acoustical instrument.
- No. 28940.—L. Lumiere, acoustical instrument.
- No. 28957.—Mjolkkningsmaskin Aktiebolaget, milking-machine. (G. Dalen, H. von Celsing, and M. Storm.)
- No. 28972.—D. M. Middleton and J. A. Dewhirst, saw-bench feed.
- No. 29031.—F. Bedford and C. E. Williams, catalytic reduction of organic substances.
- No. 29086.—L. Lumiere, acoustical instrument.
- No. 29087.—L. Lumiere, acoustical instrument.
- No. 29185.—J. F. W. Lyons, hatpin.
- No. 29223.—R. W. de Montalk, building-construction.
- No. 29226.—West Disinfecting Company, liquid-disinfecting. (M. M. Marcuse.)
- No. 29263.—H. E. Cane and J. S. Hewish, kerosene-tin, &c., sling.
- No. 29272.—T. Flintoff, window-sash.
- No. 29313.—F. A. Alcock, billiard-table cushion-support.
- No. 29330.—P. G. and B. I. Donald, elevator and conveyor.
- No. 29331.—E. Thaeter, washing-board.
- No. 29341.—A. R. Angus, railway safe-running device.

Letters Patent on which Fees have been paid.

[NOTE.—The dates are those of the payments.]

SECOND-TERM FEES.

- NO. 23112.—J. Ward, tar-paving manufacture. 3rd August.
- No. 23188.—R. A. Bradbury, waterproof garment. 25th July.
- No. 23218.—R. G. Crichton, scaffolding-support. 25th July.
- No. 23242.—I. Mosicki, production of nitrous oxides. 27th July.
- No. 23267.—W. O'Brien, jun., and F. W. Knight, hydraulic-nozzle operator. 31st July.
- No. 23275.—P. and W. Duncan, Limited, turnip-cutter, &c. (J. Keir.) 2nd August.
- No. 23294.—I. Shonex E. Ault, sewage-moving system. 3rd August.
- No. 23351.—Empire Oil Engine Syndicate, Limited, internal-combustion engine. (C. H. T. Alston.) 3rd August.
- No. 23370.—J. B. Shacklock, moulding and casting metal. 2nd August.
- No. 23395.—Marconi's Wireless Telegraph Company, Limited, wireless-telegraph receiver. (G. Marconi.)
- No. 23718.—P. Ball and R. Falkiner, sheep-shearing machine driving mechanism. 25th July.
- No. 24663.—Kempshall Tire Company, of Europe, Limited, tire. (E. Kempshall.) 25th July.

THIRD-TERM FEES.

- No. 18209.—M. A. Rogers, ogee spouting. (T. Rogers.) 21st July.
- No. 18235.—Bryant and May, Limited, box-filling machine. (J. P. Wright and C. F. Wright.) 28th July.
- No. 18369.—L. T. Chambers and W. E. Thompson, gate. (J. F. McNeill.) 25th July.

Subsequent Proprietors of Letters Patent registered.

[NOTE.—The name of the former proprietor is given in brackets; the date is that of registration.]

- NO. 27532.—Roderick Hone Campbell Joyce, of Wyndham, New Zealand, Company Agent, registered as proprietor of a one-third share. Milking-appliance. (J. McFadden and H. Adams.) 31st July, 1911.
- No. 27532.—Richard Frederick Wallis, of Gore, New Zealand, Company Managing Director, registered as proprietor of the one-third share of John McFadden. Milking-appliance. (J. McFadden and H. Adams.) 31st July, 1911.
- No. 27765.—Wohle Mineral Oil Products (1910), Limited, of Canada House, 4 and 5 Norfolk Street, Strand, London, England. Petroleum, &c., oils. (S. Wohle.) 31st July, 1911.
- No. 28849.—Spirella Company, of Meadville, Pennsylvania, United States of America, Manufacturers. Wire stays for garments. (C. C. Coates—Spirella Company—M. M. Beeman.) 31st July, 1911.

Request for Correction of Clerical Error in Application for Letters Patent allowed.

THE request to correct clerical error in application for Letters Patent No. 29363, J. A. Hill—advertised in Supplement to *New Zealand Gazette*, No. 53, of the 29th June, 1911—has been allowed.

Application for Letters Patent opposed.

NOTICE of opposition has been filed in the following case :—
 No. 29483.—W. L. Johnstone and A. Hosking, pasteurizer.
 Opposed by E. D. Berry.

Applications for Letters Patent abandoned.

LIST of applications, with which provisional specifications only have been filed, abandoned (*i.e.*, complete specifications not lodged) from the 21st July to 3rd August, 1911, inclusive :—

- No. 28450.—R. Dunne and A. J. Park, holding and delivering sheets of paper.
- No. 28467.—A. C. MacKenzie, carcass-rail switch, &c.
- No. 28468.—G. F. Norton, fanlight, &c., stay.
- No. 28471.—W. F. Marshall and E. S. Burman, rail-milling, &c., machine.
- No. 28473.—T. E. Ward and J. Gaut, totalizator.
- No. 28475.—C. Grayland, ice-cream freezer.
- No. 28476.—T. Shaw, sen., and T. Shaw, jun., suction-dredge pipe.
- No. 28478.—H. Ashworth, tram-car, &c., time-table.
- No. 28483.—T. W. McDonald, pasteurizer.
- No. 28485.—A. B. Pownall, acetylene-lamp.
- No. 28486.—M. J. N. McCarthy, kinematograph, &c.
- No. 28488.—A. Dickson and F. Weniger, turbine.
- No. 28490.—C. E. Hudson, water-chute.
- No. 28491.—H. Norgrove, dry-dock building.
- No. 28498.—W. Duggan, jun., mitre-box.
- No. 28499.—J. Geary and F. G. Semb, heat-detector.
- No. 28501.—D. P. O'Hern, hand signal-lamp controller.
- No. 28509.—A. H. Edwards, sbirt-collar.
- No. 28510.—F. W. Volk, jun., and W. Sigmont, shirt, &c., collar.
- No. 28515.—J. Limber and F. M. Norris, fuel-economizer, &c.
- No. 28516.—A. J. Cameron, sheep-dip race.
- No. 28517.—R. McGaffin, tow-cleaner.
- No. 28518.—R. McGaffin, flax-dresser.
- No. 28520.—W. T. King, boot-upper.
- No. 28523.—R. A. Riley, suction-pipe joint.
- No. 28527.—J. E. Friend, turbine motor.
- No. 28529.—C. Y. Dally, ice-cream freezer.
- No. 28536.—R. Gibb and J. Parker, harrow.
- No. 28537.—R. Gibb and J. Parker, horse-hoe.
- No. 28548.—J. H. Walton, cot.

Applications for Letters Patent void.

APPPLICATIONS for Letters Patent, with which complete specifications have been lodged, void owing to non-acceptance of such complete specifications, from the 21st July to the 3rd August, 1911, inclusive :—

- No. 27613.—F. S. Cooze, clothes-washer.
- No. 27615.—C. Hogan, rabbit-trap.
- No. 27645.—N. W. McDonald, fencing-dropper.
- No. 27660.—T. M. Smith, linoleum-polish.
- No. 27671.—J. Muir, earthenware-pipe socket.

Designs expired.

THE copyright in the following designs has expired :—

- No. 288.—Duckworth, Turner, and Co., Limited. Class 10.
- No. 289.—H. A. Doorey and H. Kerigan. Class 3.

Applications for Letters Patent lapsed.

APPPLICATIONS for Letters Patent lapsed, owing to Letters Patent not being sealed, from the 21st July to the 3rd August, 1911, inclusive :—

- No. 27222.—E. N. Lanchester, paint brush binding.
- No. 27224.—J. D. Hunter, pasteurizer-brush carrier.
- No. 27234.—A. R. Christian, cabinet for coal, &c.

Letters Patent void.

LIST of Letters Patent void through non-payment of renewal fees, and through expiry of term of fourteen years, from the 21st July to the 3rd August, 1911, inclusive :—

THROUGH NON-PAYMENT OF SECOND-TERM FEES.

- No. 22725.—E. Coombs, plaster.
- No. 22729.—T. Poljakoff-Kowtunoff, rail-vehicle.
- No. 22734.—W. Baldwin, waterproofing floors, &c.
- No. 22737.—Aktiebolaget Baltic-Separator, butter-manufacture. (J. V. M. Risberg.)

No. 22743.—H. O. Ormiston and W. D. Martin, tell-tale apparatus.

- No. 22747.—G. R. Hale, scaffolding-bracket.
- No. 22751.—C. H. O'Brien, acetylene-gas purifying.
- No. 22752.—C. H. O'Brien, acetylene-gas purifying.
- No. 22753.—C. H. O'Brien, water-feed for acetylene-generator.
- No. 22754.—W. Hudson, E. Hudson, and F. James, loose-leaf binder.
- No. 22757.—I. B. Hammond, dredge-bucket.
- No. 22763.—J. J. Rekar, hammer and drill operating device.
- No. 22764.—United Shoe Machinery Company, lock-stitch sewing-machine. (B. F. Mayo.)

THIRD-TERM FEES.

- No. 17814.—H. M. Meinurg, tide-motor.
- No. 17841.—United Shoe Machinery Company, stamping-machine. (W. Gordon and L. E. Topham.)
- No. 17842.—Gröndal Kjellin Company, Limited, cement-furnace. (G. Gröndal.)

THROUGH EXPIRY OF TERM.

Nil.

Applications for Trade Marks filed.

LIST of applications for registration of Trade Marks filed from the 21st July to the 3rd August, 1911, inclusive :—

- No. 9786.—20th July.—Yale and Towne Manufacturing Company, Stamford, U.S.A. Class 13.
- Nos. 9787 and 9788.—21st July.—M. J. Bird, Wellington, N.Z. Class 3.
- No. 9789.—24th July.—Radium Polishes, Limited, Martinborough, N.Z. Class 50.
- No. 9790.—25th July.—Chalmers Motor Company, Detroit, U.S.A. Class 22.
- Nos. 9791 and 9792.—25th July.—Ellis and Manton, Wellington, N.Z. Class 42.
- No. 9793.—25th July.—Canterbury (N.Z.) Seed Company, Limited, Christchurch, N.Z. Class 42.
- No. 9794.—27th July.—Canvassers' and Travellers' Commercial Agency, Auckland, N.Z. Class —.
- Nos. 9795, 9796, 9797, 9798, and 9799.—27th July.—M. M. Hahn, London, Eng. Class 38.
- No. 9800.—29th July.—W. F. Tucker and Co., Auckland, N.Z. Class 42.
- No. 9801.—29th July.—J. T. Norton and Co., Lyttelton, N.Z. Class 42.
- No. 9802.—29th July.—Gollin and Co. Proprietary, Limited, Wellington, N.Z. Class 1.
- No. 9803.—29th July.—C. F. Rainie, Inaba, N.Z. Class 42.
- No. 9804.—1st August.—W. W. Brown, Portsmouth, Eng. Class 38.
- No. 9805.—1st August.—Holzapfels Limited, Newcastle-on-Tyne, Eng. Class 1.
- No. 9806.—1st August.—Bradbury, Greatorex, and Co., Limited, London, Eng. Class 38.
- No. 9807.—3rd August.—Bond and Bell, Auckland, N.Z. Class 2.

Applications for Registration of Trade Marks.

Patent Office,
 Wellington, 9th August, 1911.

APPPLICATIONS for registration of the following Trade Marks have been received. Notice of opposition to the registration of any of these applications may be lodged at this office within two months of the date of this *Gazette*. Such notice must be in duplicate, and accompanied by a fee of £1.

No. of application : 8730.
 Date : 13th May, 1910.

TRADE MARK.

The word

CHAMPION.

The essential particular of this trade mark is the word "Champion."

NAME.

GILMOUR AND BARDSELY, of 91 Constable Street, Wellington South, in the Dominion of New Zealand, Manufacturers.

No. of class : 42.

Description of goods : Baking, egg, and custard powders.

No. of application : 8786.
Date : 4th June, 1910.

TRADE MARK.



The essential particulars of this trade mark are the word "Football," the device of the horse-shoe and shamrocks, and the general "get-up" of the distinctive label; and no claim is made to the exclusive use of the added matter.

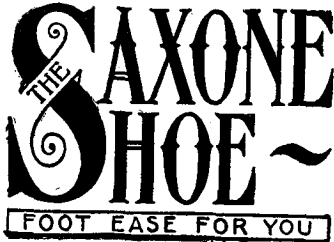
NAME.

JAMES GRANVILLE, of Wanganui, in the Provincial District of Wellington, in the Dominion of New Zealand, Aerated-water Manufacturer.

No. of class : 43.
Description of goods : "Stout."

No. of application : 9383.
Date : 17th February, 1911.

TRADE MARK.



The essential particular of the trade mark is the word "Saxone"; and any right to the exclusive use of the added matter is disclaimed.

NAME.

SAXONE SHOE COMPANY, LIMITED, of 89 Titchfield Street, Kilmarnock, Scotland, Boot and Shoe Manufacturers.

No. of class : 38.
Description of goods : Shoes.

No. of application : 9384.
Date : 17th February, 1911.

TRADE MARK.



The essential particulars of the trade mark are the device and the word "Cable"; and any right to the exclusive use of the added matter is disclaimed.

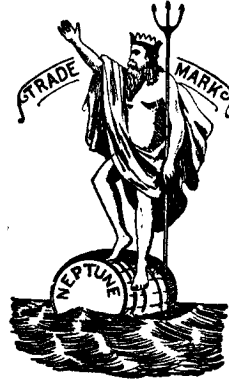
NAME.

SAXONE SHOE COMPANY, LIMITED, of 89 Titchfield Street, Kilmarnock, Scotland, Boot and Shoe Manufacturers.

No. of class : 38.
Description of goods : Shoes.

No. of application : 9534.
Date : 6th April, 1911.

TRADE MARK.



The essential particulars of the trade mark are as follows—the device and the word "Neptune."

NAME.

THE SYDNEY SOAP AND CANDLE COMPANY, LIMITED, of 365 Kent Street, Sydney, in the State of New South Wales, Commonwealth of Australia, Manufacturer.

No. of class : 47.
Description of goods : Candles; illuminating, heating, or lubricating oils; greases in this class; matches; and starch, blue, and other preparations for laundry purposes.

No. of application : 9604.
Date : 29th April, 1911.

TRADE MARK.



The essential particular of this trade mark is the name "The Dresden" printed or impressed in a particular manner.

NAME.

THE DRESDEN PIANOFORTE MANUFACTURING AND AGENCY COMPANY, LIMITED, trading also as "The Dresden," of Dunedin and elsewhere, in the Dominion of New Zealand.

No. of class : 8.
Description of goods : Talking-machines and records.

No. of application : 9623.
Date : 10th May, 1911.

TRADE MARK.

ESTABLISHED 1827



The essential particular of the trade mark is as follows—the distinctive label.

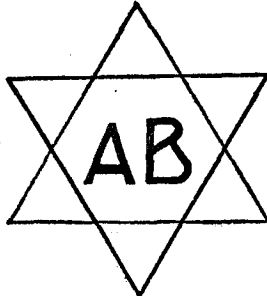
NAME.

DAVID HEILBRON AND SONS, of 72 Bath Street, Glasgow, Scotland, Distillers and Exporters.

No. of class: 43.
Description of goods: Whisky.

No. of application: 9691.
Date: 7th June, 1911.

TRADE MARK.



The essential particular of this trade mark is the device; and any right to the exclusive use of the initials "A.B." is disclaimed.

NAME.

BRISCOE AND Co., LIMITED, of Victoria and Harris Streets, Wellington, in the Dominion of New Zealand, Wholesale Ironmongers and Iron-merchants.

No. of class: 5.
Description of goods: Galvanized corrugated iron, plain galvanized iron sheets, black iron sheets, and iron or steel plates, and goods of such description.

No. of application: 9703.
Date: 7th June, 1911.

TRADE MARK.

The word

LIQUID SUNSHINE.

NAME.

CHARLES KINLOCH AND Co., LIMITED, of Backchurch Lane, London E., England, Wine and Spirit Merchants.

No. of class: 43.
Description of goods: Rum.
(By consent.)

No. of application: 9709.
Date: 7th June, 1911.

TRADE MARK.



The essential particular of this trade mark is the device; and any right to the exclusive use of the added matter, excepting the name "Wunderlich," is disclaimed.

NAME.

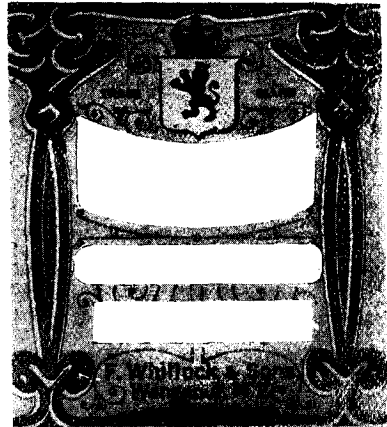
WUNDERLICH LIMITED, of Baptist Street, Redfern, State of New South Wales, Commonwealth of Australia, Manufacturers.

No. of class: 5.
Description of goods: Iron, steel, zinc, copper, and composite metal plates, ornaments, and builders' fittings, plain, stamped, embossed, or patterned, included in this class.

B

No. of application: 9750.
Date: 3rd July, 1911.

TRADE MARK.



The essential particular of this trade mark is the distinctive label.

NAME.

F. WHITLOCK AND SONS, of Wanganui, in the Dominion of New Zealand, Sauce, Pickle, and Preserve Manufacturers.

No. of class: 42.
Description of goods: Baking-powder, custard-powder, egg-powder, blanc-mange powder, jelly-crystals.

No. of application: 9760.
Date: 11th July, 1911.

TRADE MARK.

The words

CROWN BRAND.

The essential particular of this trade mark is the word "Crown"; and any right to the exclusive use of the word "Brand" is disclaimed.

No claim is made to the exclusive use of a representation of the Royal Crown.

NAME.

HILL AND PLUMMER, LIMITED, of Queen Street, Auckland, in the Dominion of New Zealand, Oil and Colour Merchants.

No. of class: 1.
Description of goods: "Knotting," a material used by house-painters.

No. of application: 9761.
Date: 11th July, 1911.

TRADE MARK.

The words

CROWN BRAND.

The essential particular of this trade mark is the word "Crown"; and any right to the exclusive use of the word "Brand" is disclaimed.

No claim is made to the exclusive use of a representation of the Royal Crown.

NAME.

HILL AND PLUMMER, LIMITED, of Queen Street, Auckland, in the Dominion of New Zealand.

No. of class: 15.
Description of goods: Plate glass (silvered).

No. of application: 9765.
Date: 12th July, 1911.

TRADE MARK.

The word

CROWN.

The essential particular of this trade mark is the word "Crown."

No claim is made to the exclusive use of a representation of the Royal Crown.

NAME.

E. SHEP. DIXON, of Fitzherbert Street, Palmerston North, in the Dominion of New Zealand.

No. of class: 44.

Description of goods: All goods in this class.

[NOTE.—Class 44 is for "Mineral and aerated waters, natural and artificial, including ginger-beer."]

No. of application: 9766.

Date: 12th July, 1911.

TRADE MARK.

The word

CROWN.

The essential particular of this trade mark is the word "Crown."

No claim is made to the exclusive use of a representation of the Royal Crown.

NAME.

E. SHEP. DIXON, of Fitzherbert Street, Palmerston North, in the Dominion of New Zealand.

No. of class: 42.

Description of goods: Cordials, non-aerated and non-alcoholic.

No. of application: 9772.

Date: 13th July, 1911.

TRADE MARK.

The word

MAORILAND.

The essential particular of this trade mark is the word "Maoriland."

NAME.

A. EADY AND Co., of Queen Street, Auckland, in the Dominion of New Zealand, Musical-instrument Importers.

No. of class: 9.

Description of goods: Mouth-organs, accordions, concertinas, cornets, clarionets, piccolos, flutes, pianos, auto-harps, zithers, flageolets, mandolines, banjos, guitars, drums, and musical strings.

No. of application: 9776.

Date: 14th July, 1911.

TRADE MARK.

**CROWN
ROYAL
NAVY**

BAXTER BROTHERS & CO., LIMITED
Dens Works
DUNDEE

The essential particular of this trade mark is the word "Crown"; and applicants disclaim any right to the exclusive use of the added matter, except their name and address.

No claim is made to the exclusive use of a representation of the Royal Crown.

NAME.

BAXTER BROS. AND Co., LIMITED, of Dundee, Scotland.

No. of class: 27.

Description of goods: Canvas for sails, tarpaulins, and other canvas goods in this class.

No. of application: 9779.

Date: 18th July, 1911.

TRADE MARK.

Adomax

NAME.

ERICH AND GRAETZ, of 92-93 Eisenstrasse, Berlin, Germany, Manufacturers.

No. of class: 18.

Description of goods: Stoves or apparatus for cooking or heating purposes.

No. of application: 9780.

Date: 18th July, 1911.

TRADE MARK.

The word

BOWELLA.

The essential particular of this trade mark is the word "Bowella."

NAME.

WATSON BROS., LIMITED, of Palmerston North, in the Dominion of New Zealand, General Merchants.

No. of class: 42.

Description of goods: Tea.

No. of application: 9781.

Date: 18th July, 1911.

TRADE MARK.

The word

GO-GO.

NAME.

HELEN MURRAY CUFF, of Parnell, Auckland, in the Dominion of New Zealand.

No. of class: 3.

Description of goods: A herbal remedy.

No. of application: 9782.

Date: 20th July, 1911.

TRADE MARK.

The words

BLACK ROCK.

The essential particulars of this trade mark are the words "Black Rock."

NAME.

ROBERT FEWELL, of Paeros, in the Dominion of New Zealand, Manufacturer.

No. of class: 44.

Description of goods: Mineral and aerated waters.

No. of application: 9787.

Date: 21st July, 1911.

TRADE MARK.

The word

EYERENE.

NAME.

MICHAEL JAMES BIRD, of Grove Road, Kelburne, Wellington, in the Dominion of New Zealand, Accountant.

No. of class: 3.

Description of goods: All goods of this class.

[NOTE.—Class 3 is for "Chemical substances prepared for use in medicine and pharmacy, such as cod-liver oil, medicated articles, patent medicines, plasters, rhubarb."]

No. of application: 9788.

Date: 21st July, 1911.

TRADE MARK.

The word

EYEROL.

NAME.

MICHAEL JAMES BIRD, of Grove Road, Kelburne, Wellington, in the Dominion of New Zealand, Accountant.

No. of class: 3.

Description of goods: All goods of this class.

[NOTE.—Class 3 is for "Chemical substances prepared for use in medicine and pharmacy, such as cod-liver oil, medicated articles, patent medicines, plasters, rhubarb."]

No. of application : 9789.
Date : 24th July, 1911.

TRADE MARK.

The word

RADIUM.

NAME.

RADIUM POLISHES, LIMITED, of Martinborough, in the Dominion of New Zealand, Manufacturers.

No. of class : 50.

Description of goods : Stove, metal, furniture, and linoleum polishes, and all other cleansing and polishing preparations.

No. of application : 9791.
Date : 25th July, 1911.

TRADE MARK.

The word

PRIORY.

NAME.

ELLIS AND MANTON, of Stout Street, Wellington, in the Dominion of New Zealand.

No. of class : 42.

Description of goods : All goods in this class with the exception of tomato sauce and all goods of a similar description.

[NOTE.—Class 42 is for "Substances used as food or as ingredients in food."]

No. of application : 9792.
Date : 25th July, 1911.

TRADE MARK.

The word

EKEWATTE.

NAME.

ELLIS AND MANTON, of Stout Street, Wellington, in the Dominion of New Zealand.

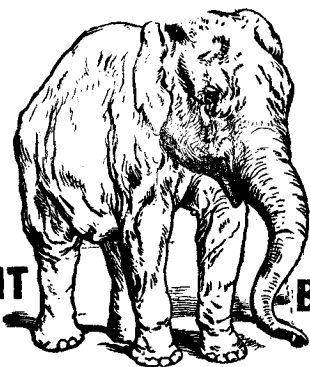
No. of class : 42.

Description of goods : All goods in this class.

[NOTE.—Class 42 is for "Substances used as food or as ingredients in food."]

No. of application : 9793.
Date : 25th July, 1911.

TRADE MARK.



ELEPHANT BRAND

The essential particulars of this trade mark are the device and the word "Elephant"; and any right to the exclusive use of the added matter is disclaimed.

NAME.

THE CANTERBURY (N.Z.) SEED COMPANY, LIMITED, of 206-8 Cashel Street, Christchurch, in the Dominion of New Zealand, Seed and Grain Merchants.

No. of class : 42.

Description of goods : Cereals.

No. of application : 9795.
Date : 27th July, 1911.

TRADE MARK.



The essential particular of the trade mark is the following—the distinctive mark or brand; and any right to the exclusive use of the added matter is disclaimed.

NAME.

MAXMILLIAN MAURICE HAHN, of No. 17 Clevedon Mansions, Highgate Road, N.W. London, England, Corset-manufacturer, trading as "M. M. Hahn."

No. of class : 38.

Description of goods : Corsets.

No. of application : 9796.
Date : 27th July, 1911.

TRADE MARK.



The essential particulars of the trade mark is the following—the distinctive mark or brand; and any right to the exclusive use of the added matter is disclaimed.

NAME.

MAXMILLIAN MAURICE HAHN, of No. 17 Clevedon Mansions, Highgate Road, N.W. London, England, Corset-manufacturer, trading as "M. M. Hahn."

No. of class : 38.

Description of goods : Corsets.

J. C. LEWIS,
Registrar.

Trade Marks registered.

LIST of Trade Marks registered from the 21st July to the 3rd August, 1911, inclusive:—

- No. 7562/9307.—Crown Clothing Manufacturing Company, Limited. Class 38. (*Gazette* No. 15, of the 23rd February.)
- No. 7563/9302.—Neath Steel Sheet and Galvanizing Company, Limited. Class 5. (*Gazette* No. 12, of the 9th February.)
- No. 7564/9331.—Sir H. S. Maxim. Class 11. (*Gazette* No. 12, of the 9th February.)
- No. 7565/9332.—H. N. Backhouse. Class 3. (*Gazette* No. 12, of the 9th February.)
- No. 7566/9496.—Strathmann and Joachim. Class 47. (*Gazette* No. 33, of the 20th April.)
- No. 7567/9456.—Collins Bros. and Co., Limited. Class 39. (*Gazette* No. 37, of the 4th May.)
- No. 7568/9493.—A. P. Ordway and Co. Class 3. (*Gazette* No. 37, of the 4th May.)
- No. 7569/9507.—A. Bird and Sons, Limited. Class 42. (*Gazette* No. 37, of the 4th May.)
- Nos. 7570/9582 and 7571/9583.—G. Salter and Co. Classes 6 and 13. (*Gazette* No. 37, of the 4th May.)
- No. 7572/9584.—J. Mackintosh, Limited. Class 42. (*Gazette* No. 37, of the 4th May.)
- No. 7573/9586.—Pearson's Antiseptic Company, Limited. Class 2. (*Gazette* No. 37, of the 4th May.)
- No. 7574/9595.—A. Tyres. Class 38. (*Gazette* No. 37, of the 4th May.)

* In this case the following sentence has been inserted in the Register : "No claim is made to the exclusive use of a device of a crown or of the word 'Crown.'"

No. 7575/9596.—Procter and Gamble Company. Class 47. (*Gazette* No. 37, of the 4th May.)
 No. 7576/9555.—E. H. Hardy. Class 4. (*Gazette* No. 37, of the 4th May.)
 No. 7577/9590.—Rheinische Glashütten Actien Gesellschaft. Class 15. (*Gazette* No. 37, of the 4th May.)
 No. 7578/9545.—J. Neil, Limited. Class 2. (*Gazette* No. 33, of the 20th April.)
 No. 7579/9348.—J. G. Swan, C. McDonnell, and F. McGarthy. Class 2. (*Gazette* No. 37, of the 4th May.)
 No. 7580/9576.—Vacuum Oil Company Proprietary, Limited. Class 47. (*Gazette* No. 37, of the 4th May.)
 No. 7581/9524.—Permanent Decorative Glass Company, Limited. Class 16. (*Gazette* No. 33, of the 20th April.)
 Nos. 7582/8739 and 7583/8740.—Pearson's Antiseptic Company, Limited. Classes 2 and 3. (*Gazette* No. 66, of the 30th June, 1910.)
 Nos. 7584/8824, 7585/8825, 7586/8826, and 7587/8827.—Cravenette Company, Limited. Classes 24, 31, 34, and 38. (*Gazette* No. 90, of the 6th October, 1910.)
 No. 7588/8790.—Neuchatel Asphalte Company, Limited. Class 17. (*Gazette* No. 60, of the 16th June, 1910.)
 No. 7589/9592.—Reckitts (Oversea) Limited. Class 47. (*Gazette* No. 37, of the 4th May.)
 No. 7590/9288.—Owen and Davies. Class 22. (*Gazette* No. 7, of the 26th January.)
 No. 7591/9289.—Owen and Davies. Class 22. (*Gazette* No. 12, of the 9th February.)
 No. 7592/9523.—Wellington Woollen Manufacturing Company, Limited. Class 38. (*Gazette* No. 33, of the 20th April.)
 No. 7593/9027.—Firth, Mosse, and Co. Class 1. (*Gazette* No. 90, of the 6th October, 1910.)
 No. 7594/9537.—Hancock and Co. (New Zealand), Limited. Class 44. (*Gazette* No. 37, of the 4th May.)
 No. 7595/9539.—J. Siderfin and Co. Class 37. (*Gazette* No. 33, of the 20th April.)
 No. 7596/8763.—Seabury and Johnson. Class 2. (*Gazette* No. 42, of the 18th May.)
 No. 7597/9020.—Wilkinson, Haywood, and Clark, Limited. Class 1. (*Gazette* No. 42, of the 18th May.)
 No. 7598/9223.—North Bros. Manufacturing Company. Class 13. (*Gazette* No. 42, of the 18th May.)
 No. 7599/9259.—C. Leethem and Co. Class 33. (*Gazette* No. 42, of the 18th May.)
 No. 7600/9334.—Menley and James, Limited. Class 3. (*Gazette* No. 42, of the 18th May.)
 No. 7601/9351.—Ardath Tobacco Company. Class 45. (*Gazette* No. 42, of the 18th May.)
 No. 7602/9550.—Trehwella Bros. Class 6. (*Gazette* No. 42, of the 18th May.)
 No. 7603/9569.—J. Braadland, Limited. Class 42. (*Gazette* No. 46, of the 1st June.)
 No. 7604/9588.—Welsh, Margetson, and Co., Limited. Class 38. (*Gazette* No. 42, of the 18th May.)
 No. 7605/9598.—R. Brown, Limited. Class 43. (*Gazette* No. 42, of the 18th May.)
 No. 7606/9619.—J. Braadland, Limited. Class 42. (*Gazette* No. 42, of the 18th May.)
 No. 7607/9459.—Anderson and Misikin. Class 42. (*Gazette* No. 42, of the 18th May.)
 No. 7608/9599.—Carreras Limited. Class 45. (*Gazette* No. 42, of the 18th May.)
 No. 7609/9602.—Archer and Halliburton. Class 2. (*Gazette* No. 42, of the 18th May.)
 No. 7610/9605.—J. Thompson. Class 42. (*Gazette* No. 42, of the 18th May.)
 No. 7611/9606.—Newberry, Walker, and Co. Class 18. (*Gazette* No. 42, of the 18th May.)
 No. 7612/9601.—Wilson Malt Extract Company. Class 42. (*Gazette* No. 42, of the 18th May.)

Trade Mark Renewal Fees paid.

FEES paid for the renewal of the undermentioned Trade Marks for fourteen years from the date first mentioned:—

Nos. 1884/1520 and 1885/1521.—8th January, 1911.—W. Scoular and Co., Dunedin, N.Z. 6th July, 1911.
 No. 2068/1662.—29th July, 1911.—J. Braithwaite, Dunedin, N.Z. 29th July, 1911.
 No. 2072/1682.—30th July, 1911.—Lane and Co., Dunedin, N.Z. 24th July, 1911.
 Nos. 2111/1727 and 2112/1728.—4th September, 1911.—The N. K. Fairbank Company, Chicago, U.S.A. 22nd July, 1911.
 No. 2132/1740.—18th September, 1911.—G. H. Colegrove, Auckland, N.Z. 2nd August, 1911.
 No. 2163/1775.—2nd October, 1911.—A. Cameron, Sydney, N.S.W. 27th July, 1911.
 Nos. 2179/1844 and 2180/1845.—14th October, 1911.—E. and J. Burke, Limited, Dublin, Ireland, and Liverpool, Eng. 25th July, 1911.
 No. 2191/1819.—27th October, 1911.—Wardell Bros. and Co., Wellington, N.Z. 28th July, 1911.
 No. 2202/1756.—3rd November, 1911.—Cameron and Cameron, Richmond, U.S.A. 27th July, 1911.

Trade Marks removed from the Register.

TRADE Marks removed from the Register owing to the non-payment of the renewal fee, from the 21st July to the 3rd August, 1911, inclusive:—

No. 1962/1747.—21st April, 1897.—J. Simon, Westport, N.Z. Class 42.
 No. 1963/1531.—24th April, 1897.—S. Vincent, Sydenham, N.Z. Class 3.
 No. 1965/1584.—26th April, 1897.—A. W. Birss, Rangiora, N.Z. Class 44.
 No. 1969/1587.—29th April, 1897.—G. W. Wilton, Wellington, N.Z. Class 3.

Subsequent Proprietors of Trade Marks registered.

[NOTE.—The name of the former proprietor is given in brackets; the date is that of registration.]

N O. 1696/1371.—John A. P. Philp, Proprietor Anglo-New Zealand Cycle Company, of Colombo Street, Christchurch, New Zealand. (I. S. de Beer.) 1st August, 1911.

Nos. 1855/1492 and 1857/1494.—Bell's United Asbestos Company, Limited, of 59½ Southwark Street, London, S.E., England. Asbestos-manufacturers. (Bell's Asbestos Company, Limited.) 27th July, 1911.

No. 2035/1641.—W. D. and H. O. Wills (Australia), Limited, of Cecil Chambers, 86 Strand, London, England. (National Cigarette Company of Australasia Proprietary, Limited.) 27th July, 1911.

No. 2091/1679.—Chateau Tanunda, Limited, of Tanunda, Adelaide, Lyndoch, and Coonawarra, South Australia, Commonwealth of Australia. Wine-makers and Distillers. (Adelaide Wine Company, Limited.) 1st August.

No. 8927/7116.—The Glen-Oroua Co-operative Dairy Company, Limited, of Glen Oroua, New Zealand. (H. G. Hill.) 1st August, 1911.

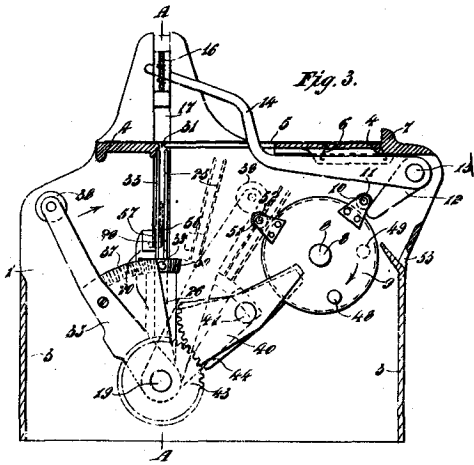
Trade Mark restored to the Register.

THE following trade marks have been restored to the Register:—

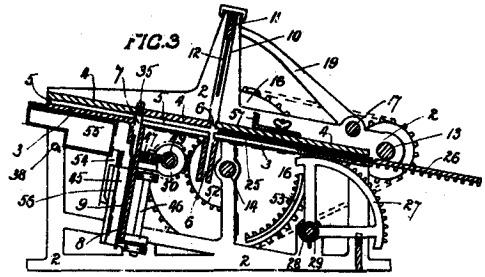
Nos. 1884/1520 and 1885/1521.—W. Scoular and Co., of Dunedin, New Zealand. (Advertised in Supplement to *New Zealand Gazette*, No. 58, of the 13th July, 1911.)

ILLUSTRATIONS OF INVENTIONS.

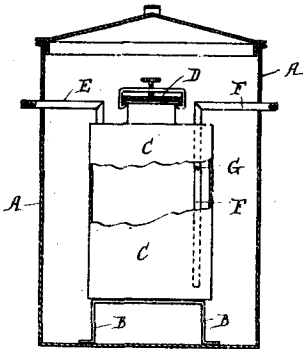
[These illustrations refer to the complete specifications accepted, and advertised in this *Gazette*.]



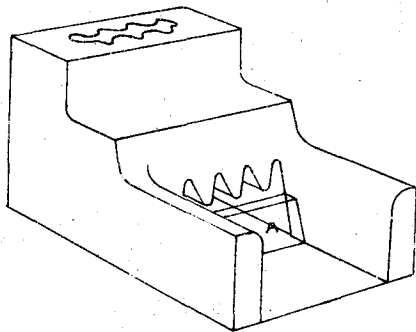
Telegram folder. Journ. 27656.



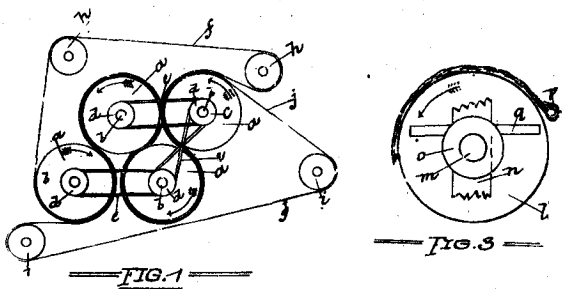
Invoice folding machine. Salek 28157



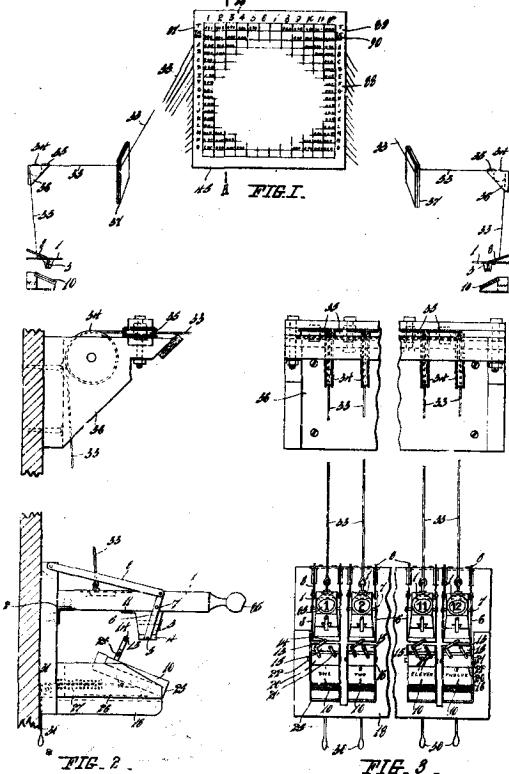
Beer cooler. Gibbs. 28164



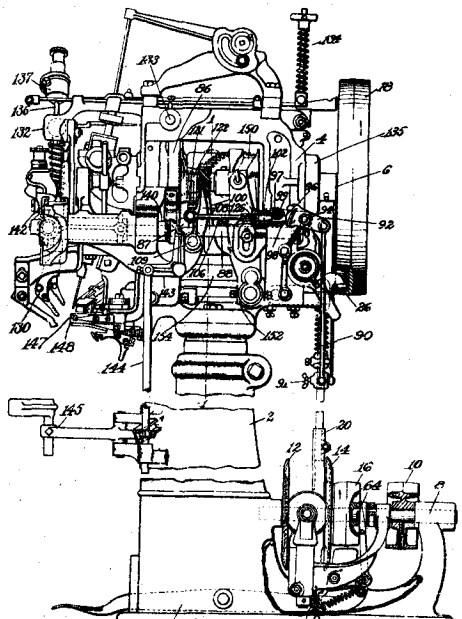
Boiler, high pressure. Scott Bros Ltd. (Scott). 28196.



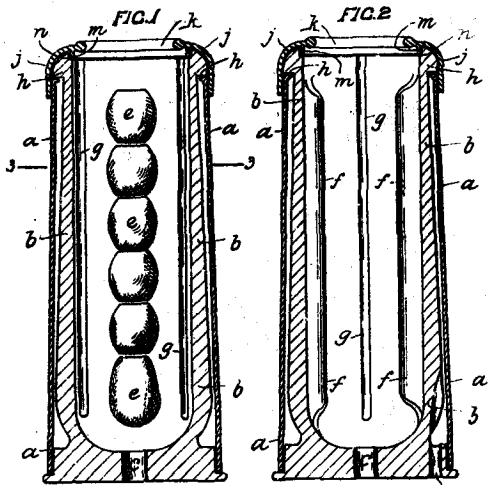
Flax dryer. Wynyard. 28365.



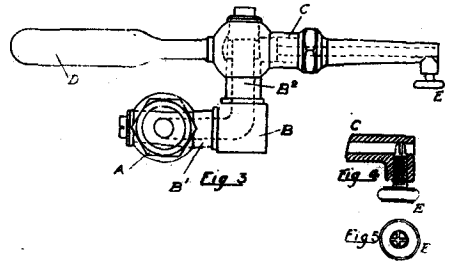
Tolaligator. James. 28158.



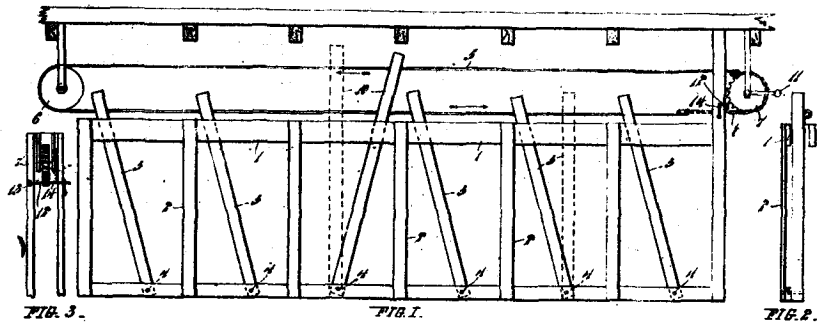
Boot lasting machine. United Shoe Machinery Coy (Bates, Silvester Roberts & Brown) 28281.



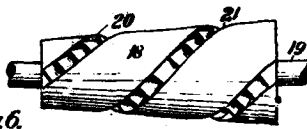
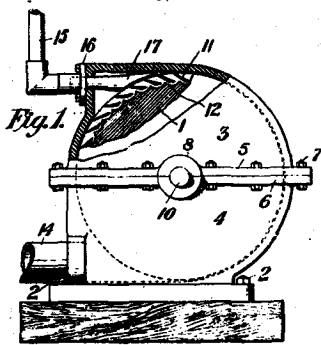
Teat cup Ridd Milking Machine Co (Ridd) 28554.



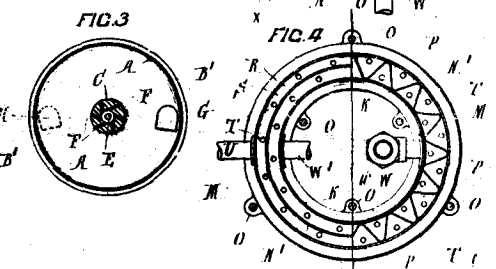
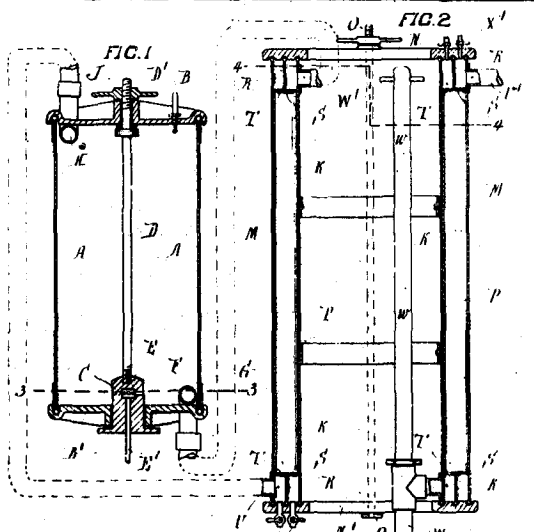
Spraying apparatus Hellyer & Nelson. 28508.



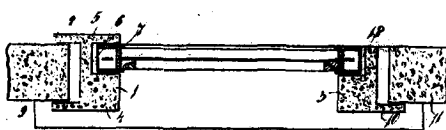
Cow-bail. Gray & Fletcher. 29370.



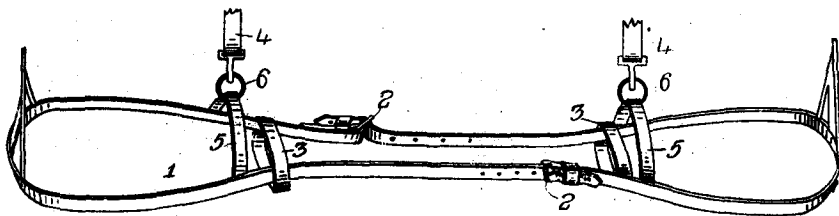
Turbine. Naugh & Bedford. 29586



Pasteuriser. Berry. 29482.



Window electric surround. Wilson 29702



Hobble. Frist & Small 29664

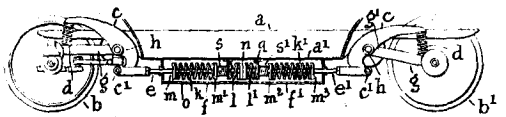


Fig 1

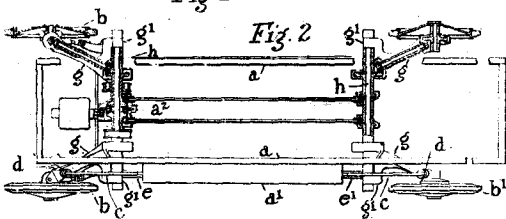


Fig 2

Vehicle. Charley. 29520.

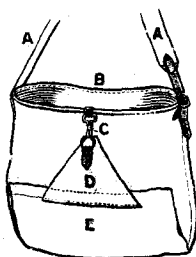


FIG. 1.

Bag, fruit picking. J & W Fotheringham & Pearl. 29553.

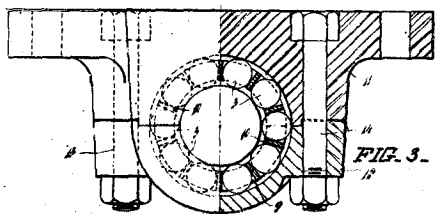


FIG. 3.

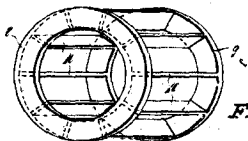
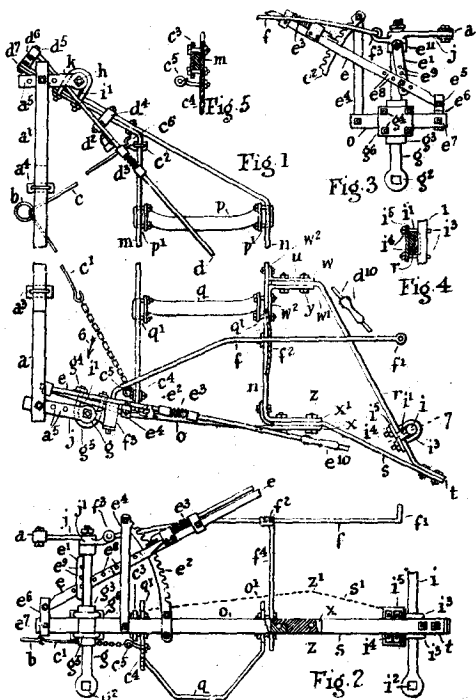


FIG. 4.

Bearing, roller. Collett & Son L^{td} (Aldor). 29634.



Plough. Westendorf. 29747.

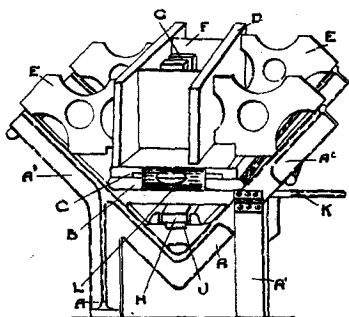


FIG. 3

Brick etc machine. Johnson. 29745

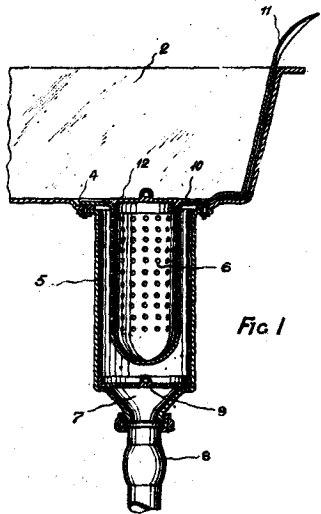


FIG. 1

Sink outlet strainer. Peters. 29751

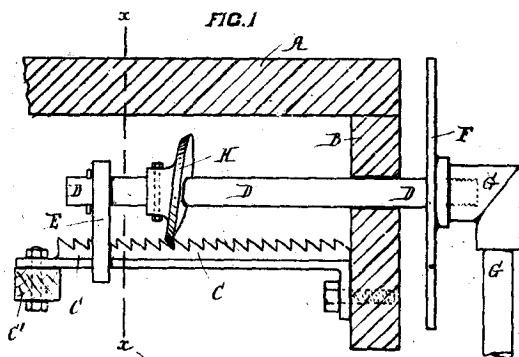


FIG. 1

Bench vice. Upchurch. 29786.

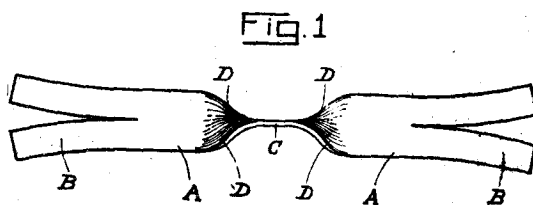
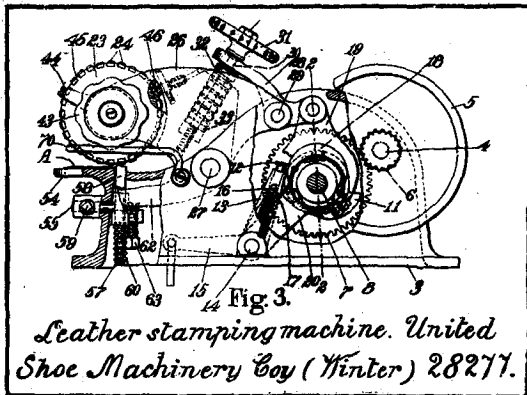
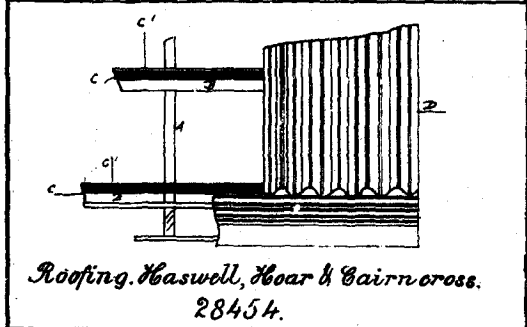


FIG. 1

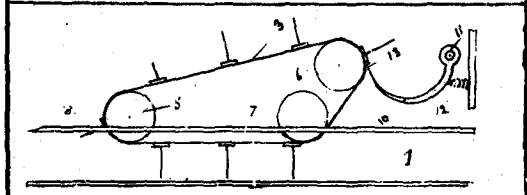
Wall tie. Wilson. 29725.



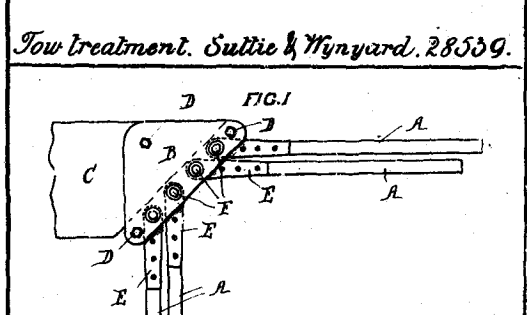
Leather stamping machine. United Shoe Machinery Coy (Winter) 28277.



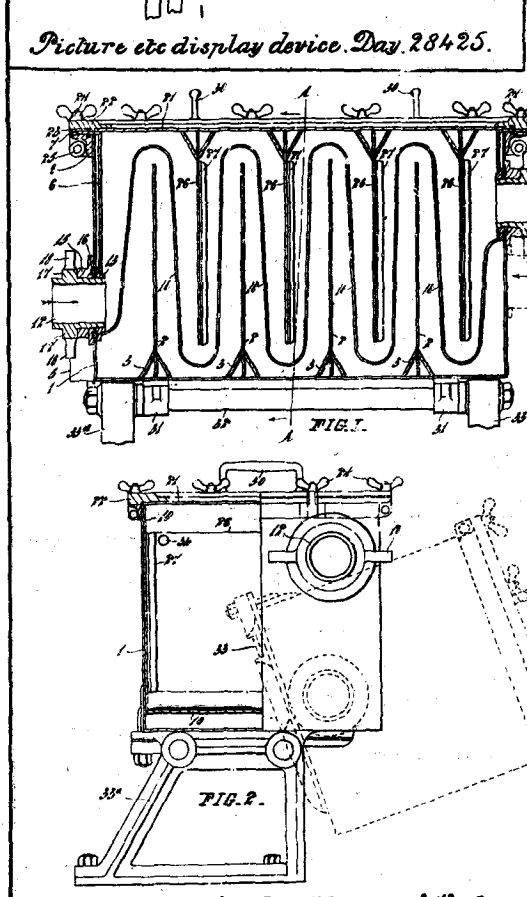
Roofing. Haswell, Hoar & Cairncross. 28454.



Fow treatment. Suttie & Wynyard. 28559.



Picture etc display device. Day. 28425.



Milk etc heater & cooler. Johnstone & Hosking. 29507

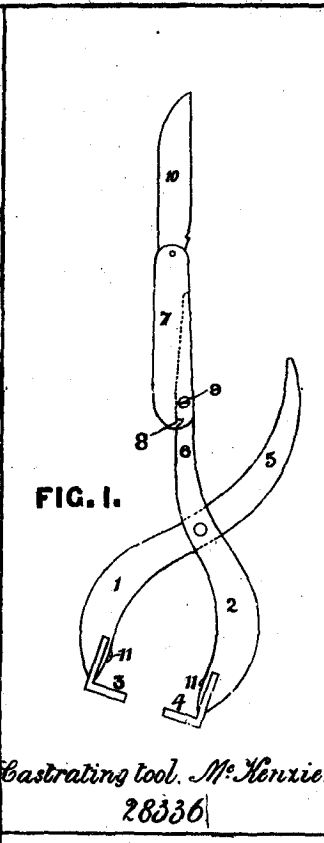
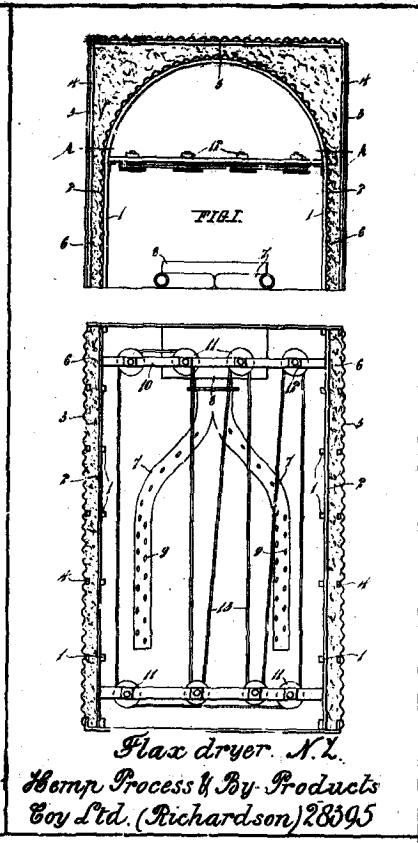
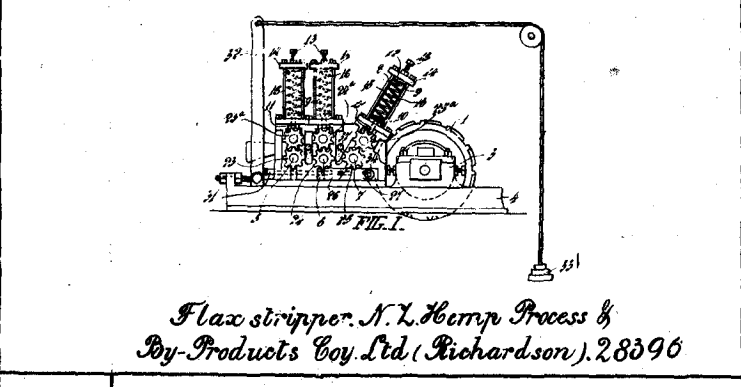


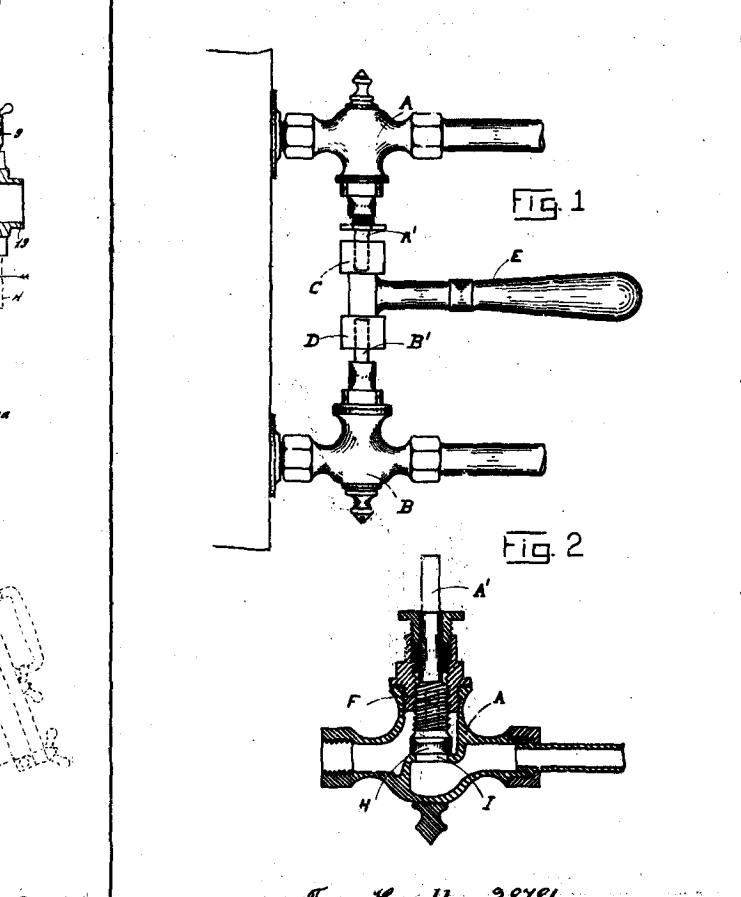
FIG. I. Castrating tool. McHenzie 28336



Flax dryer. N.L. Hemp Process & By-Products Coy Ltd. (Richardson) 28395



Flax stripper. N.L. Hemp Process & By-Products Coy Ltd. (Richardson) 28396



Tap. Hardley. 28784